

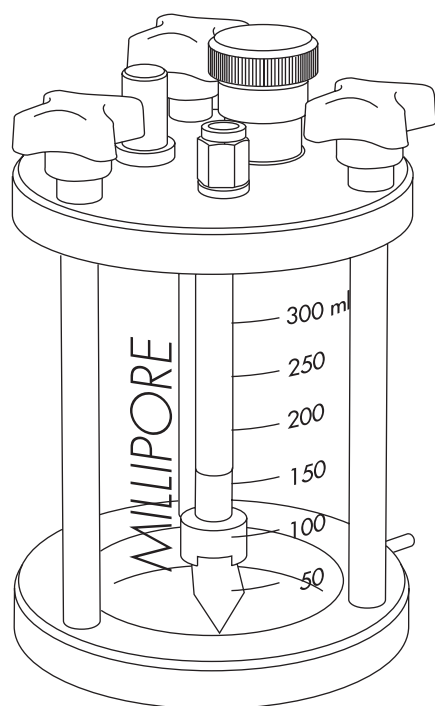
Solvent Resistant Stirred Cells

for Ultrafiltration and Filtration Applications

Cat. No. XFUF 047 01 (47 mm)

Cat. No. XFUF 076 01 (76 mm)

User Guide



MILLIPORE

Notice

The information in this document is subject to change without notice and should not be construed as a commitment by Millipore Corporation. Millipore Corporation assumes no responsibility for any errors that may appear in this document. This manual is believed to be complete and accurate at the time of publication. In no event shall Millipore Corporation be liable for incidental or consequential damages in connection with or arising from the use of this manual.

Cat. No. EU424/U, Rev. A, 09/15/2002

© 1994, 2002 MILLIPORE CORPORATION. PRINTED IN THE UNITED STATES OF AMERICA. ALL RIGHTS RESERVED. THIS BOOK OR PARTS THEREOF MAY NOT BE REPRODUCED IN ANY FORM WITHOUT THE WRITTEN PERMISSION OF THE PUBLISHERS.

Millipore, Amicon, and Biomax are registered trademarks of Millipore Corporation.

Vaseline is a registered trademark of Chesebrough-Pond's, Inc.

Ultracel is a trademark of Millipore Corporation.

Introduction

The Millipore Solvent Resistant Stirred Cell is constructed from stainless steel and borosilicate glass. It is designed to offer a rapid and efficient method for concentrating or desalting samples of up to 300 mL under high pressure.

Principle

A solution is held over an ultrafiltration membrane in the pressurized cell. Solvent and solutes less than the membrane's molecular weight cutoff pass through the membrane as filtrate; solutes greater than the molecular weight cutoff are retained and concentrated within the cell.

Applications

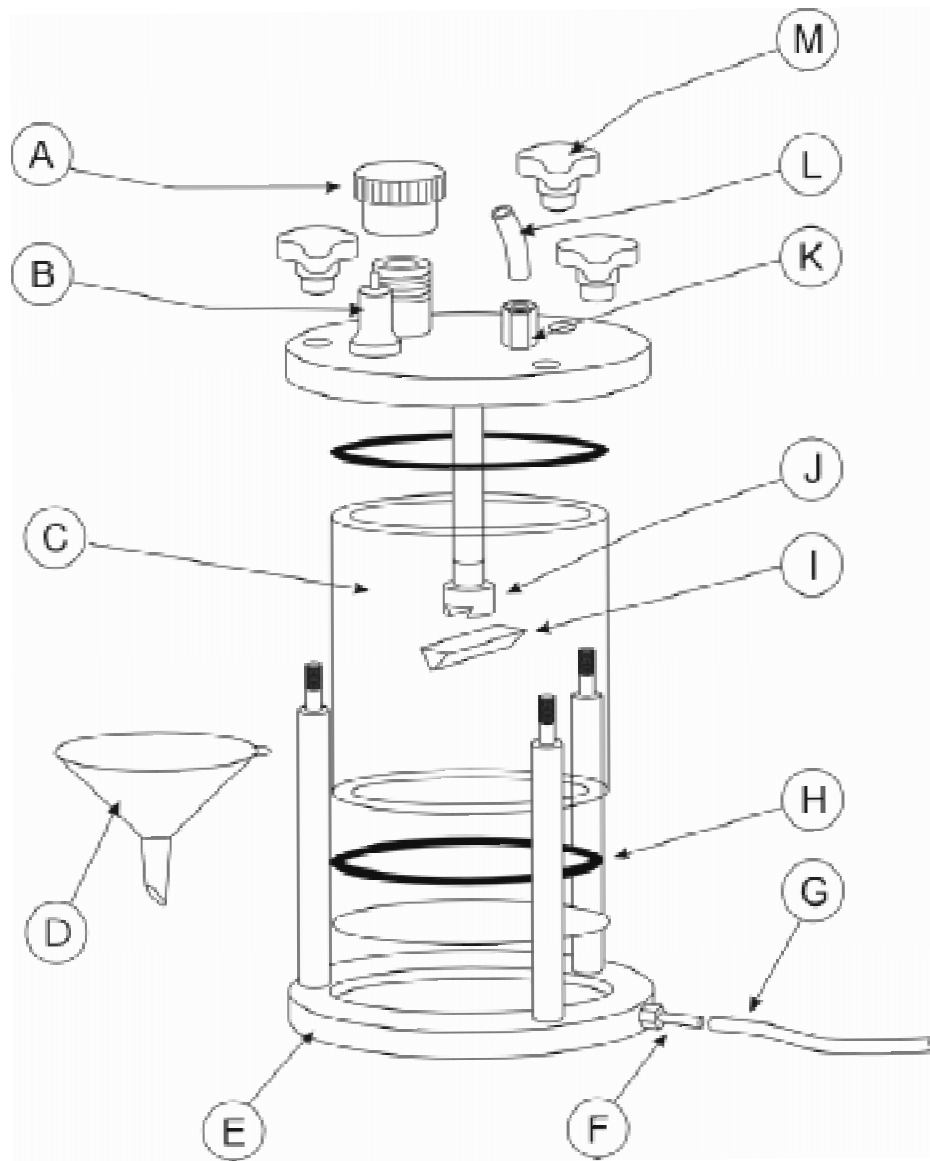
Use the Millipore Stirred Cell for the following applications:

- Removal or concentration of macrosolutes
- Removal or exchange of buffers, solvents, and microsolute

Features

The Millipore Solvent Resistant Stirred Cell offers the following features:

- Minimum number of components for simple assembly and easy cleaning
- Borosilicate glass cylinder and a high-quality (316L) stainless steel base and top plate for resistance to high temperatures and corrosion (See the section of this guide titled "Resistance to Chemical Agents.")
- Wide, heavy base to ensure cell stability
- Safety valve, set to a nominal 6-bar (90 psi) pressure limit
- Shallow membrane holder for easier membrane insertion and removal
- Availability of a full range of membranes with different molecular weight cutoffs, including cellulosic and polysulfone membranes (See the section of this guide titled "Membranes Available from Millipore.")
- Negligible filtrate holdup volume (1 mL), because the membrane support structure provides an efficient drainage path for filtrate
- Removable PTFE-coated stirring bar shaped to maximize filtration efficiency



Exploded View — Solvent Resistant Stirred Cell

A	Filler/pressure-relief cap and O-ring	H	O-ring seal
B	Safety valve and O-ring	I	Stirring bar
C	Glass cylinder	J	Stirring bar grip, grip screw and washer
D	Funnel	K	Pressure inlet port
E	Bottom plate	L	Pressure tubing
F	Filtrate port	M	Cross knob
G	Filtrate tube		

Unpacking

To unpack the Solvent Resistant Stirred Cell, take the following steps.

1. Remove the contents from the packaging and place the cell on a clear, level surface (retain the packaging for future transport).
2. Unscrew the three cross knobs from the support pillars and lift off the top plate assembly and the O-ring.
3. Remove the glass cylinder and O-ring from the base.

Operating Guidelines

- Use Millipore membranes. They are manufactured to exacting industrial standards.
- Follow the instructions supplied with the membranes for cleaning and storage, as well as for buffer or solvent compatibility.
- Prefilter or centrifuge any solution containing particulate matter that may interfere with filtration, such as cell debris or precipitates.
- Pre-dilute the solution when a viscous agent (such as sucrose or glycerine) is to be removed, because highly viscous solutions filter slowly.
- To maximize the recovery of retained substances, continue stirring for a few minutes after pressure release to resuspend the polarized layer on the membrane surface.
- To minimize the filtrate holdup volume, use the shortest possible length of filtrate tubing.
- Samples larger than 300 mL may be concentrated by connecting the pressure supply tubing to an auxiliary reservoir. The following reservoir is available from Millipore: RC800 Mini-Reservoir (Millipore Catalogue Number 6028).
- An auxiliary reservoir may also be used for a diafiltration operating mode. The cell is connected to a pressurized auxiliary reservoir of diafiltrate solution with the desired microsolute concentration. In this mode, the diafiltrate solution rapidly replaces the filtrate because the volume of solution in the cell, and therefore the concentration of macrosolute, remain constant.

PLEASE NOTE: An auxiliary reservoir is not supplied with the Stirred Cell.

Resistance to Chemical Agents

The components of the Stirred Cell are resistant to most solvents. However, **DO NOT USE** the Millipore Stirred Cell with strong acids ($\text{pH} < 1$), alkalies ($\text{pH} > 12$), or oxidizing agents. The use of the Stirred Cell with certain aldehydes, ketones (such as acetone), aliphatic ethers, or aliphatic esters may reduce the life of the fluorocarbon O-rings while causing them to swell. For other solvent sensitivities, please consult a standard text or contact Intersep, Inc.

CAUTION: Please refer to specific membrane operating instructions for membrane buffer or solvent and temperature compatibility (see the section of this guide titled “Membranes Available from Millipore”).

Assembly for Operation

To assemble the Solvent Resistant Stirred Cell before use, take the following steps.

1. Insert a membrane disc into the base, shiny side up. It is recommended that you first wet the membrane with the buffer or solvent in use, in order to seat the membrane flat and evenly in the base.

CAUTION: Handle the membrane disc by its edge to avoid scratching and contaminating the surface.

2. Gently position the O-ring on the membrane disc.
3. Place the glass cylinder upright on the O-ring.
4. Ensure that the stirring bar is centrally positioned in its grip.
5. Carefully position the top plate assembly on top of the glass cylinder.
6. After ensuring that the glass cylinder and two O-rings are located between the base and top plate, fully clamp the cell by screwing the cross knobs onto the three support pillars.

NOTE: In order to ensure a proper seal between the cylinder and the O-ring in the lid, it is important to move the lid evenly down the cylinder, to seat the lid properly, and to turn each knob slowly and equally. To do so, clamp and release the top plate by 1/2 turns of each cross knob in sequence.

7. Make sure the filtrate port is firmly screwed into the base. Push on the filtrate tubing.
8. Unscrew and remove the filler or pressure relief cap and introduce the sample directly into the cell, using the funnel if required.

NOTE: Some ultrafiltration membranes may be protected with trace amounts of glycerine or azide, Screw and Washer which may be washed through by running the Stirred Cell with a small volume of buffer or solvent immediately before use with the sample.

9. Replace the cap, screwing it on as far as it will go.

Operating Procedure

To operate the Solvent Resistant Stirred Cell, take the following steps.

1. Place the cell centrally on a magnetic stirring table.
2. Push the pressure-supply tubing firmly into the pressure inlet port and connect the tubing to a regulated gas pressure source.

NOTE: Nitrogen is recommended. The use of compressed air may cause large pH shifts by inducing the dissolution of carbon dioxide or the oxidation of sensitive solutions.

3. Pressurize the system to 6.0 bar (90 psi).

CAUTION: Do not exceed 6.0 bar. Before operating the Stirred Cell with hazardous or especially valuable materials, Millipore recommends that you check the system pressure to ensure that all components have been properly assembled.

4. Turn on the stirring table and adjust the stirring rate so that the depth of the vortex is no more than one-third that of the stirred solution level.
5. Leave the solution on the activated stirring table until the retentate has been reduced to the required volume.

Shutdown Procedure

1. Turn off the nitrogen pressure source.
CAUTION: Do not attempt to unscrew the filler or pressure relief cap before turning off the gas pressure source.
2. Slowly unscrew the cap to vent pressure before disconnecting the pressure supply tubing.
CAUTION: Rapid pressure loss can cause the solution to froth and overflow.
3. Turn off the stirring table.
4. Remove the cap and pipette; pour out or add solution as desired.
5. Disassemble the cell and wash all components with soapy water or acetone. Rinse thoroughly with water.

Sterilization (Advised Methods)

To sterilize the Solvent Resistant Stirred Cell, use any of the following methods.

Method	Requirements
Heat:	Autoclave at 120 °C for 30 minutes
Gas:	Ethylene oxide
Liquid:	70% ethanol, 50% isopropanol, 5% formalin

CAUTION: Clamp the cell loosely when autoclaving.

Maintenance

- Replace the O-rings if they show damage or wear.
- Check the stirring bar periodically for burrs or rough edges that could damage the membrane.
CAUTION: The borosilicate glass cylinder must be replaced if cracked or chipped.

Storage

If the cell is not to be required for several weeks, leave it disassembled to extend the life of the O-rings.

Troubleshooting

If little or no filtrate is obtained:

- a. Make sure that the system is pressurized.
- b. Adjust the stirring rate to ensure the resuspension of any polarized layer on the membrane surface.
- c. If the solution is highly viscous because microsolute are present, dilute the solution to increase the flow rate.
- d. Make sure that the shiny side of the membrane faces upward.
- e. Check the filtrate port for blockage.
- f. Check that the correct membrane type is being used.

If the filtrate rate is abnormally high:

- a. Make sure that no part of the stirring bar touches the membrane surface.
- b. Check that the correct membrane type is being used.
- c. Check the membrane surface for lesions, scratches, or roughness.

If a cell leaks:

- a. Check that the O-rings are properly placed.
- b. Make sure the cell is firmly clamped and that the cap and four cross knobs are screwed on fully.
- c. Check the O-rings for nicks or cuts.

CAUTION: Do not use Vaseline[®] jelly, which may damage the membrane.

Specifications

The Solvent Resistant Stirred Cell has the following specifications.

	47 mm	76 mm
Cell capacity	75 mL	300 mL
Stirred minimum volume	2.5 mL	10 mL
Membrane diameter	47 mm	76 mm
Effective membrane area	15 cm ²	40 cm ²
Filtrate holdup volume	0.3 mL	1 mL
Dimensions		
Base diameter	80 mm	110 mm
Height	122 mm	165 mm
Pressure Limits		
Maximum operating pressure	6 bar (90 psi)	6 bar (90 psi)
Safety valve setting	6 bar (90 psi)	6 bar (90 psi)

Component Materials

The components of the Stirred Cell are as follows.

Component	Material
Base plate assembly	316L stainless steel
Top plate assembly	316L stainless steel
Glass cylinder	Borosilicate glass
Stirring bar grip	PTFE
Stirring bar coating	PTFE
O-ring	Fluorocarbon
Pressure tube	Nylon
Filtrate tube	Silicone rubber
Funnel	HDPE

Product Ordering Information

Please call your nearest Millipore office to order any of the following components or replacement parts. See the section titled “Technical Assistance” for information about contacting Millipore Corporation.

Component	Quantity	Catalogue No.	
		47 mm	76 mm
Filter or pressure relief cap and O-ring seal	1	XFUF 047 10	XFUF 076 10
Safety valve and O-ring seal	1	XFUF 0SP 01	XFUF 0SP 01
Glass cylinder	1	XFUF 047 11	XFUF 076 11
Stirring bar grip	1	XFUF 0SP 02	XFUF 0SP 02
Grip screw (M4 × 6)	1	XFUF 0SP 03	XFUF 0SP 03
Grip screw washer (M4)	1	XFUF 0SP 04	XFUF 0SP 04
Stirring bar	1	XFUF 047 12	XFUF 076 12
O-ring seal for glass cylinder	1	XFUF 047 13	XFUF 076 13
O-ring seal for filler or pressure relief cap	1	XFUF 047 14	XFUF 076 14
O-ring seal for safety valve	1	XFUF 0SP 05	XFUF 0SP 05
Pressure inlet port	1	XFUF 0SP 06	XFUF 0SP 06
Pressure tube	2 M	XFUF 0SP 07	XFUF 0SP 07
Filtrate tube	0.5 M	XFUF 0SP 08	XFUF 0SP 08
Cross knobs (M6)	3	XFUF 047 15	XFUF 076 15
Funnel	1	XFUF 047 16	XFUF 076 16
Glass cylinder holding clips	1	XFUF 0SP 09	XFUF 0SP 09

Membranes Available from Millipore

A full range of Millipore membranes for use with Stirred Cells is available. The following table lists catalog numbers for each membrane type.

Qty.	14 mm	25 mm	44.5 mm	63.5 mm	76 mm	90 mm	150 mm
Ultracel Amicon® Ultrafiltration Discs, Regenerated Cellulose							
YM1 1,000 NMWL							
100	40422						
10		13312	13322	13332	13342		
5						13351	13361
YM3 3,000 NMWL							
100	40423						
10		13412	13422	13432	13442AM		
5						13451	13461AM
YM10 10,000 NMWL							
100	40424						
10		13612	13622	13632	13642		
5						13651	13661AM
YM30 30,000 NMWL							
100	40423						
10		13712	13722	13732	13742		
5						13751	13761AM

Membranes Available from Millipore, continued

	Qty	25 mm	44.5 mm	47 mm	63.5 mm	76 mm	90 mm	150 mm
Ultracel™ PL Ultrafiltration Discs, Regenerated Cellulose								
PLAC 1,000 NMWL	10	PLAC O25 1O	PLAC 43 1O	PLAC O47 1O	PLAC O62 1O	PLAC O76 1O		
	5						PLAC O90 05	PLAC 150 05
PLBC Discs, 3,000 NMWL	10	PLBC O25 1O	PLBC O43 1O	PLBC O47 1O	PLBC O62 1O	PLBC O76 1O		
	5						PLBC O90 1O	PLBC 150 05
PLCC Discs 5,000 NMWL	10	PLCC O25 1O	PLCC O43 1O	PLCC O47 1O	PLCC O62 1O	PLCC O76 1O		
	5						PLCC O90 05	PLCC 150 05
PLGC Discs, 10,000 NMWL	10	PLGC O25 1O	PLGC O43 1O	PLGC O47 1O	PLGC O62 1O	PLGC O76 1O		
	5						PLGC O90 05	PLGC 150 05
PLTK 30,000 NMWL	10	PLTK O25 1O	PLTK O43 1O	PLTK O47 1O	PLTK O62 1O	PLTK O76 1O		
	5						PLTK O90 05	PLTK 150 05
PLHK 100,000 NMWL	10	PLHK O25 1O	PLHK O43 1O	PLHK O47 1O	PLHK O62 1O	PLHK O76 1O		
	5						PLHK O90 05	PLJK 150 05
Biomax® PB Ultrafiltration Discs, Polyethersulfone								
PBCC 5,000 NMWL	10	PBCC O25 1O	PBCC O43 1O	PBCC O47 1O	PBCC O62 1O	PBCC O76 1O		
	5						PBCC O90 05	PBCC 150 05
PBTK 10,000 NMWL	10	PBTK O25 1O	PBTK O43 1O	PBTK O47 1O	PBTK O62 1O	PBTK O76 1O		
	5						PBTK O90 05	PBTK 150 05
PBQK 50,000 NMWL	10	PBQK O25 1O	PBQK O43 1O	PBQK O47 1O	PBQK O62 1O	PBQK O76 1O		
	5						PBQK O90 05	PBQK 150 05

Membranes Available from Millipore, continued

Qty	25 mm	44.5 mm	47 mm	63.5 mm	76 mm	90 mm	150 mm
Biomax PB Ultrafiltration Discs, Polyethersulfone							
PBHK 100,000 NMWL	10	PBHK O25 1O	PBHK O43 1O	PBHK O47 1O	PBHK O62 1O	PBHK O76 1O	
5						PBHK O90 05	PBHK 150 05
PBMK 300,000 NMWL	10	PBMK O25 1O	PBMK O43 1O	PBMK O47 1O	PBMK O62 1O	PBMK O76 1O	
5						PBMK O90 05	PBMK 150 05
PBVK 500,000 NMWL	10	PBVK O25 1O	PBVK O43 1O	PBVK O47 1O	PBVK O62 1O	PBVK O76 1O	
5						PBVK O90 05	PBVK 150 05
Amicon PM Ultrafiltration Discs, Polyethersulfone							
AMICON Discs, PM10 10,000 NMWL	10	13112	13122	13132	13142		
5						13151	13161
AMICON Discs, PM30 30,000 NMWL	10	13212	13222	13232	13242		
5						13251	13261
Amicon YC05 Ultrafiltration Discs, Cellulose Acetate							
Amicon Discs, YC05 500 NMWL	10	13012	13022	13032	13042		
5						13051	13061

Maximum operating pressure for Millipore Stirred Cells is 6 bar.

Polysulfone membranes have excellent chemical resistance and hydrophobicity with high flux rates and a low fouling characteristic.

The regenerated cellulose membranes have outstanding chemical resistance. They can be used in the presence of aliphatic and aromatic hydrocarbons, esters, halogenated hydrocarbons, alcohols, and ethers. Hydrophilicity, high flux rates, and low fouling characteristics are maintained.

Technical Assistance

For more information, contact the Millipore office nearest you. In the U.S., call **1-800-MILLIPORE** (1-800-645-5476). Outside the U.S., see your Millipore catalogue for the phone number of the office nearest you or go to our web site at www.millipore.com/offices for up-to-date worldwide contact information. You can also visit the tech service page on our web site at <http://www.millipore.com/techservice>.

Millipore Corporation is pleased to provide internet access to Material Safety Data Sheets (MSDS) for its products that contain hazardous materials. To obtain any MSDS documents that may be associated with this product, go to the MSDS page of our website at <http://www.millipore.com/msds.nsf/home>.

Statement Regarding Compliance with the Pressure Equipment Directive, 97/23/EC

Millipore Corporation certifies that this product complies with the European Pressure Equipment Directive, 97/23/EC of 29 May 1997.

This product is classified under Article 3 § 3 of the Pressure Equipment Directive. It has been designed and manufactured in accordance with sound engineering practice to ensure safe use.

The product is accompanied by user instructions and bears markings to permit identification of Millipore Corporation as the manufacturer or authorized representative of this product within the European Community.

In compliance with Article 3 § 3 of the Pressure Equipment Directive, this product does not bear the CE mark.

Standard Warranty

Millipore Corporation ("Millipore") warrants its products will meet their applicable published specifications when used in accordance with their applicable instructions for a period of one year from shipment of the products. **MILLIPORE MAKES NO OTHER WARRANTY, EXPRESSED OR IMPLIED. THERE IS NO WARRANTY OF MERCHANTABILITY OR FITNESS FOR A PARTICULAR PURPOSE.** The warranty provided herein and the data, specifications and descriptions of Millipore products appearing in Millipore's published catalogues and product literature may not be altered except by express written agreement signed by an officer of Millipore. Representations, oral or written, which are inconsistent with this warranty or such publications are not authorized and if given, should not be relied upon.

In the event of a breach of the foregoing warranty, Millipore's sole obligation shall be to repair or replace, at its option, the applicable product or part thereof, provided the customer notifies Millipore promptly of any such breach. If after exercising reasonable efforts, Millipore is unable to repair or replace the product or part, then Millipore shall refund to the customer all monies paid for such applicable product or part. **MILLIPORE SHALL NOT BE LIABLE FOR CONSEQUENTIAL, INCIDENTAL, SPECIAL OR ANY OTHER INDIRECT DAMAGES RESULTING FROM ECONOMIC LOSS OR PROPERTY DAMAGE SUSTAINED BY ANY CUSTOMER FROM THE USE OF ITS PRODUCTS.**